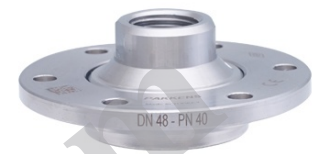
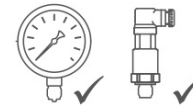


Pressure Gauges / Diaphragm Seals / Diaphragm Group Types / DS0550 Loose Connection Flange

CONSTRUCTIVE PROPERTIES

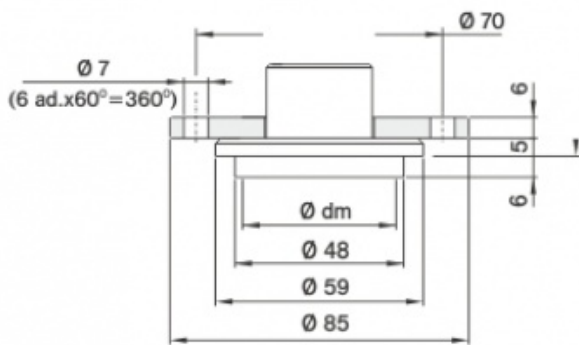
	STANDARD	OPTIONAL
Scale Unit	bar	-
Scale Range (PN)	0/2,5 0/4 0/6 0/10 0/16 0/25 0/40	
Upper Body Material	AISI-316L	PTFE
Material of Membrane	AISI-316L	PTFE
Flanged-Process Connection Material	AISI-316L	-
Instrument Connection	G 1/2"	-
Assembling	Direct Connection	Capillary Clamp (Max. 4 m.) Cooling Tower Capillary with SS armour covered (Max. 4 m.)
Process Connection	Flanged	-
Filling Liquid	Silicon Oil	-
Sealing	Viton	PTFE
Accuracy Class % (Will be added to instrument accuracy)	±0,5% Direct Mounting	±1% Capillary Mounting



DS0550
Loose Connection Flange

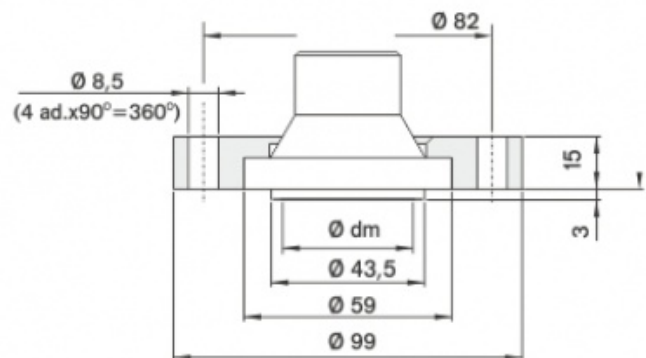
USAGE PROPERTIES

Storage Temperature	-40 ... +70 °C	-
Process Temperature	-45/+150°C	-
Leakage Test	Helium Sniffer Leakage Test	
Conformity	NACE MR 1075 Oxygen Service DIN ANSI	



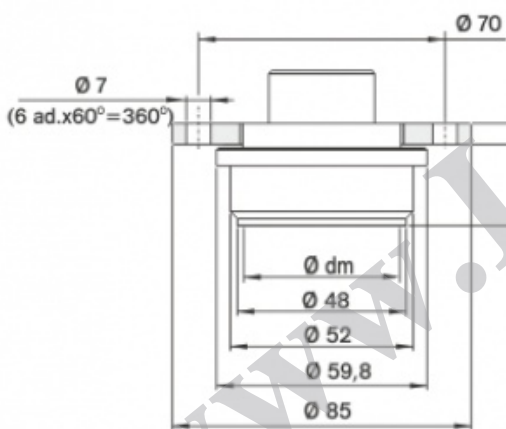
Flange Group : DN 48 PN 40 bar

Ø	Diaphragm Ø dm	Model #
Ø 100	46	DS 0550 00
Ø 160		



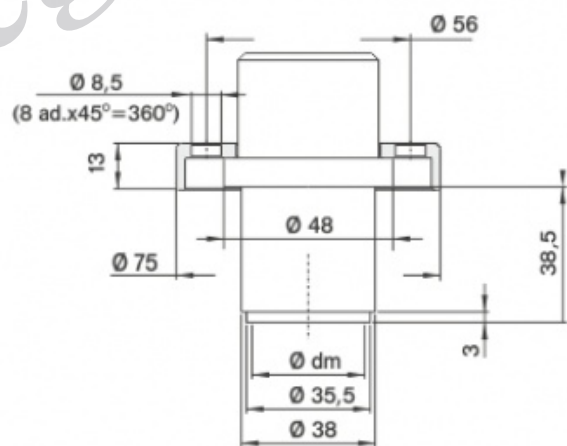
Flange Group : DN 44 PN 40 bar

Ø	Diaphragm Ø dm	Model #
Ø 100	42	DS 0550 01
Ø 160		



Flange Group : DN 52 PN 40 bar

Ø	Diaphragm Ø dm	Model #
Ø 100	46	DS 0550 02
Ø 160		



Flange Group : DN 38 PN 40 bar

Ø	Diaphragm Ø dm	Model #
Ø 100	34	DS 0550 03
Ø 160		